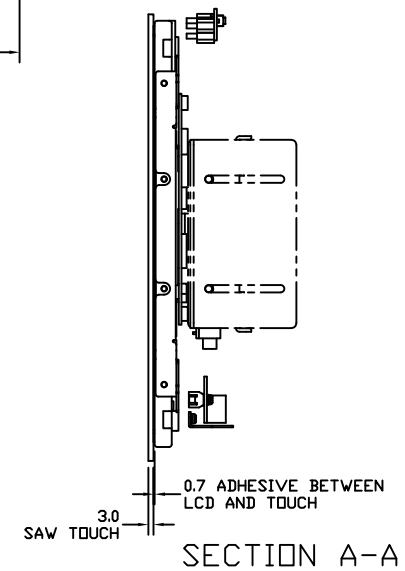
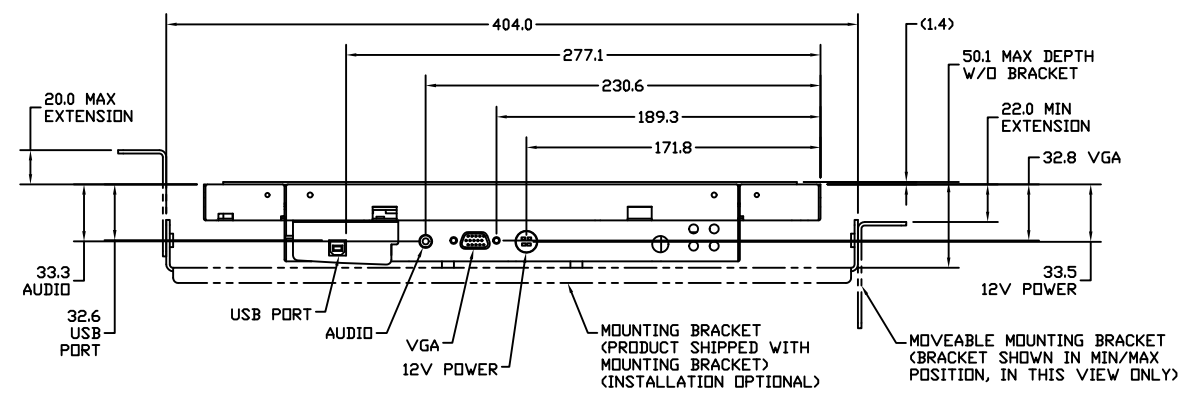
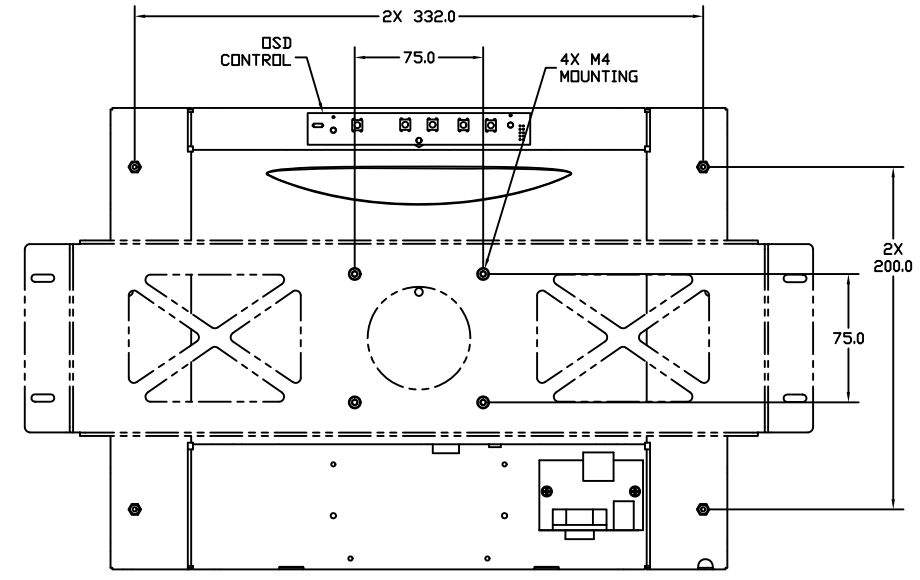
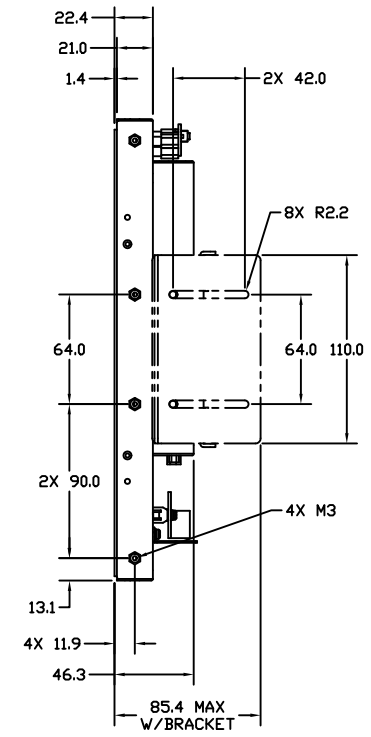
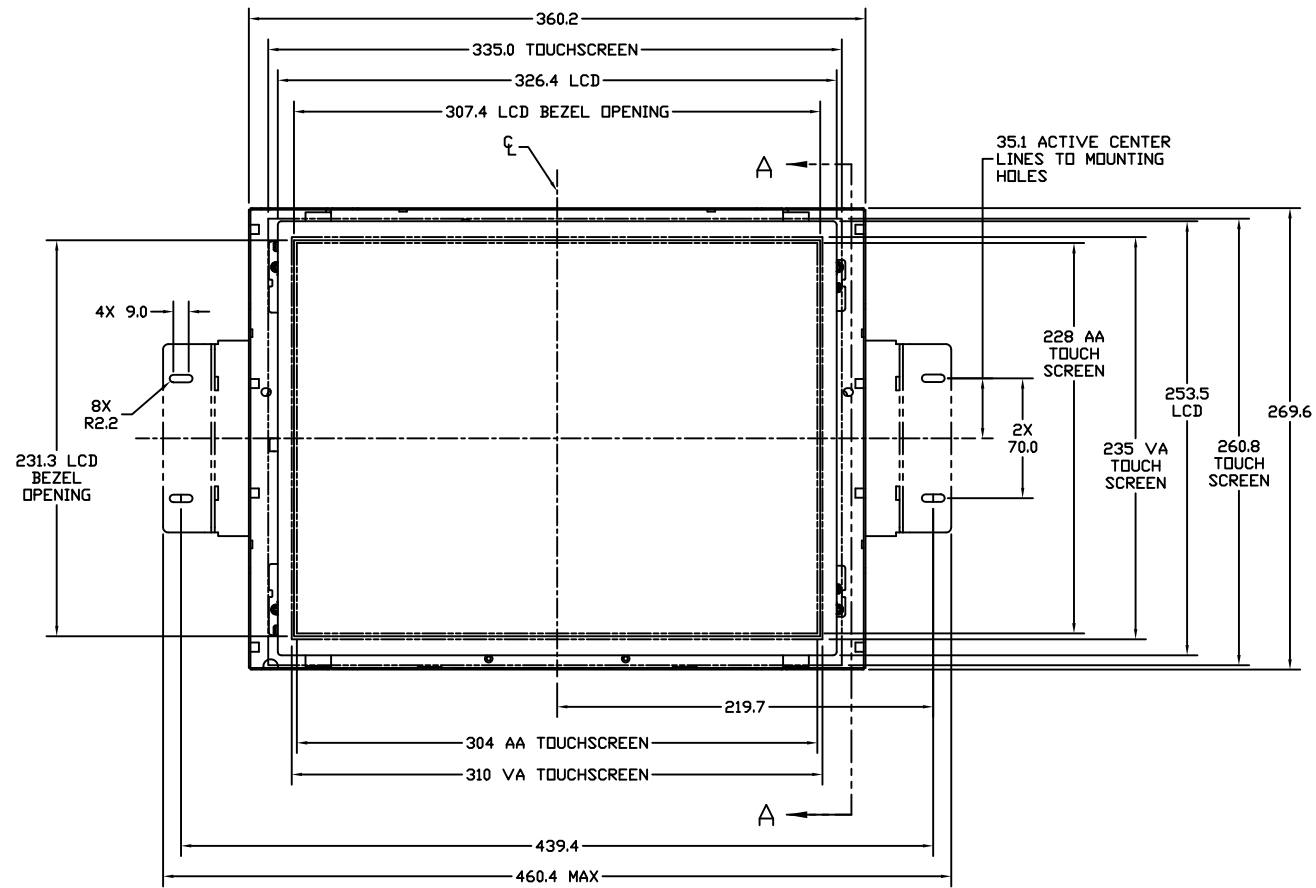


- NOTES:
- LCD PANEL MODEL: SVA 150XG10TB.
  - SAW TOUCH SCREEN.
  - THIS PART IS RoHS COMPLIANT.

REVISIONS					
ECO	ZONE	REV	DESCRIPTION	DATE	APPROVED
1002078	-	A	INITIAL RELEASE	06/22/11	RD



LIMITS-UNLESS OTHERWISE SPECIFIED

1-6	±0.1	300-1000	±0.8
6-30	±0.2	1000-2000	±1.2
30-100	±0.3	2000 >	±2.0
100-300	±0.5		

UNLESS OTHERWISE SPECIFIED DIMENSIONS ARE IN MILLIMETERS.		ENGR BY	-
TOLERANCES - UNLESS OTHERWISE SPECIFIED		DRAWN BY	R.DAVENPORT
X = ±1	.XX = ±.25	CHECKED BY	-
.X = ±.5	ANGLES = ±1°	USED ON	LA1500RTS
DIMENSIONING AND TOLERANCING PER ASME Y14.5M-1994		MATERIAL	NA
THIRD ANGLE PROJECTION		FINISH	NA

<b>PLANAR</b>		PLANAR SYSTEMS 1195 NW COMPTON DRIVE BEAVERTON, OR 97006 USA	
TITLE DWG. SPEC, LA1500RTS			
SIZE	PART NO.	DRAWING NO.	REV
C	997-6290-00LF	076-0714-00	A
SCALE	NONE	DO NOT SCALE	SHEET 1 OF 1

THIS DRAWING CONTAINS INFORMATION PROPRIETARY TO PLANAR SYSTEMS, INC. ANY REPRODUCTION IN PART OR WHOLE WITHOUT THE WRITTEN PERMISSION OF PLANAR SYSTEMS IS PROHIBITED. THIS DRAWING IS SUPPLIED FOR INFORMATION, IDENTIFICATION, ENGINEERING, EVALUATION AND/OR INSPECTION PURPOSES ONLY AND MAY NOT BE USED AS BASIS FOR THE MANUFACTURING OF PRODUCTS OR THE FURNISHING OF SERVICES TO PLANAR SYSTEMS OR TO ANY THIRD PARTY UNLESS AUTHORIZED IN WRITING BY PLANAR SYSTEMS.