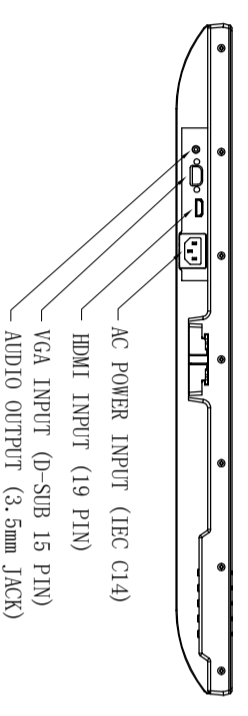
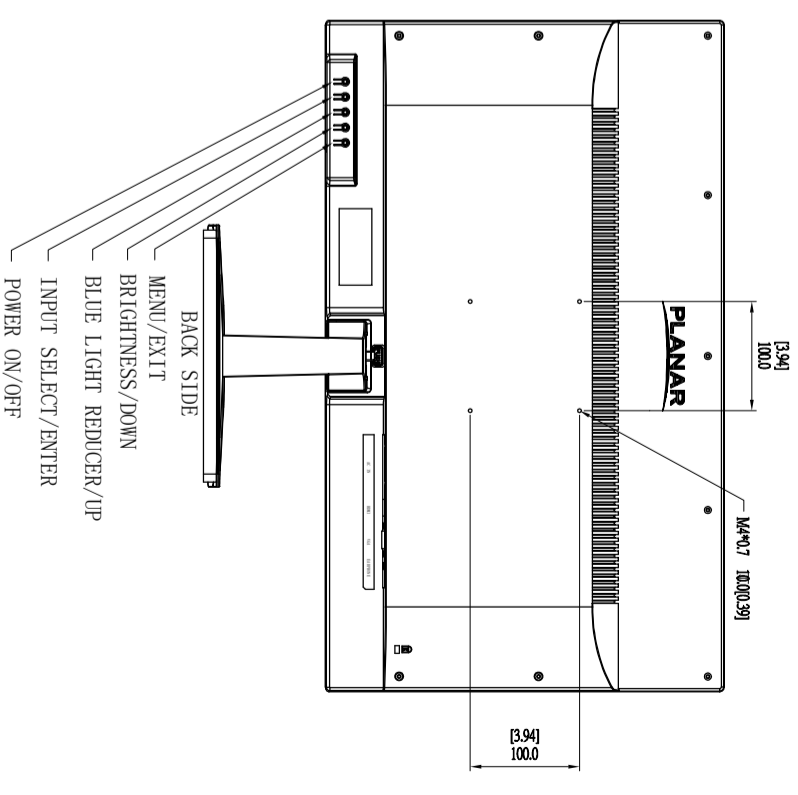
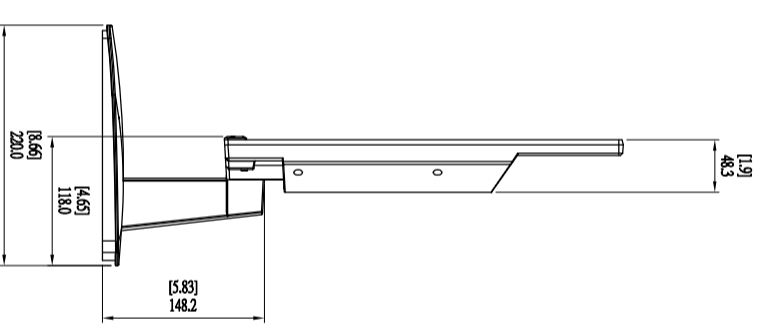
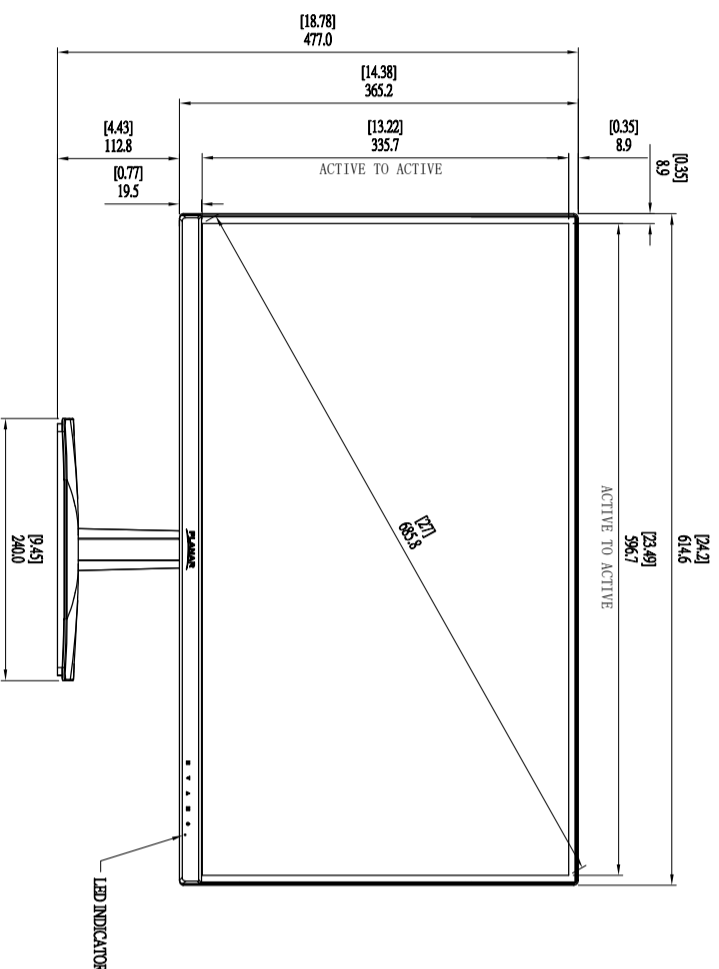
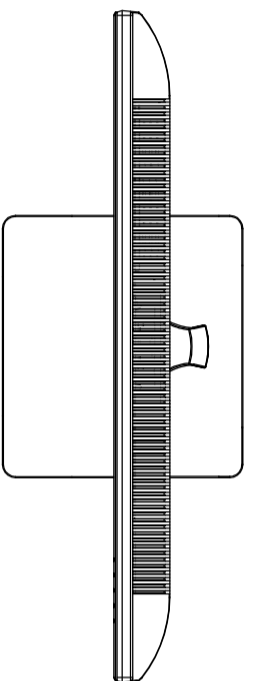


REVISION HISTORY				DATE	APP'D
ECD	ZONE	REV.	DESCRIPTION		



1. SPECIFICATIONS SUBJECT TO CHANGE WITHOUT NOTICE .  
 NOTES: UNLESS OTHERWISE SPECIFIED.

<p><b>UNLESS OTHERWISE SPECIFIED, DIMENSIONS ARE IN MILLIMETERS UNLESS NOTED OTHERWISE.</b></p>		<p>DATE BY: _____</p> <p>DRAWN BY: _____</p> <p>CHECKED BY: _____</p> <p>DESIGNED BY: _____</p> <p>APPROVED BY: _____</p>
<p>TOLERANCES</p> <p>X = ±1</p> <p>Y = ±.25</p> <p>Z = ±.15</p> <p>L = ±1*</p>	<p>FINISH</p> <p>_____</p>	<p>TITLE</p> <p>PLANAR SYSTEMS, INC.          12575 NE COMPASS DRIVE          BEAVERTON, OR 97008 USA</p>
<p>DIMENSIONING AND TOLERANCING PER          ASME Y14.5M-1994</p> <p>THIRD ANGLE PROJECTION</p>	<p>SCALE</p> <p>1:5</p>	<p>REV</p> <p>A</p>
<p>998-2942-00</p>	<p>998-2942-00</p>	<p>1 OF 1</p>

THIS DRAWING CONTAINS INFORMATION PROPRIETARY TO PLANAR SYSTEMS, INC. AND IS NOT TO BE REPRODUCED OR TRANSMITTED IN ANY FORM OR BY ANY MEANS, ELECTRONIC OR MECHANICAL, INCLUDING PHOTOCOPYING, RECORDING, OR BY ANY INFORMATION STORAGE AND RETRIEVAL SYSTEM, WITHOUT THE WRITTEN PERMISSION OF PLANAR SYSTEMS, INC. THE MANUFACTURER OF PRODUCTS OR THE PROVIDER OF SERVICES TO PLANAR SYSTEMS OR TO ANY THIRD PARTY MUST INDICATE IN WRITING BY PLANAR SYSTEMS.