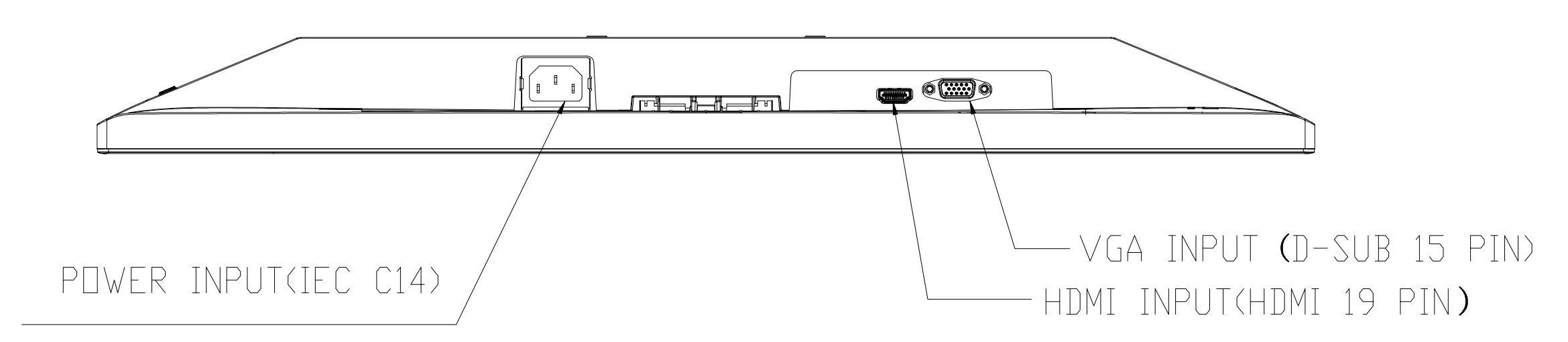
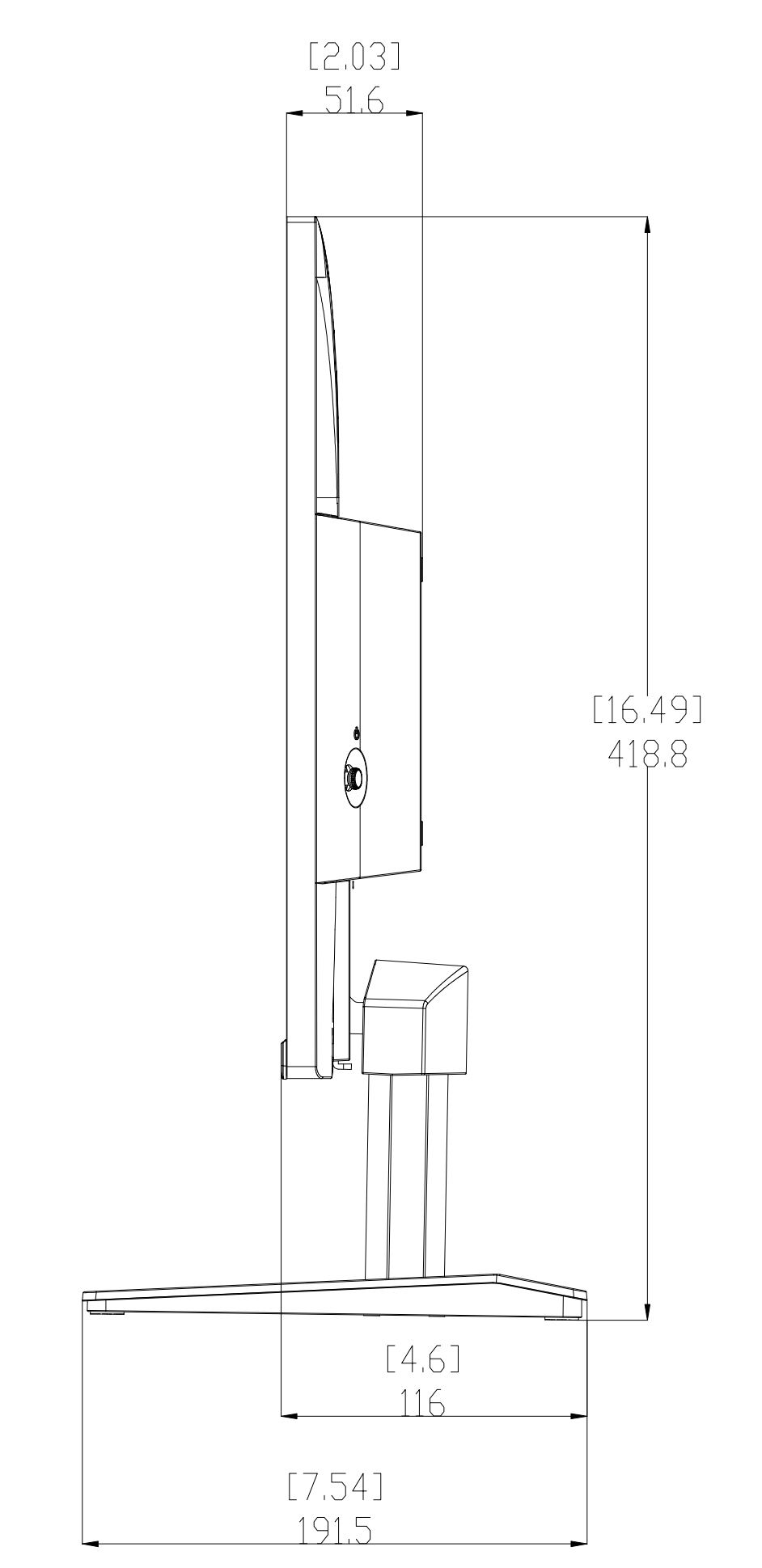
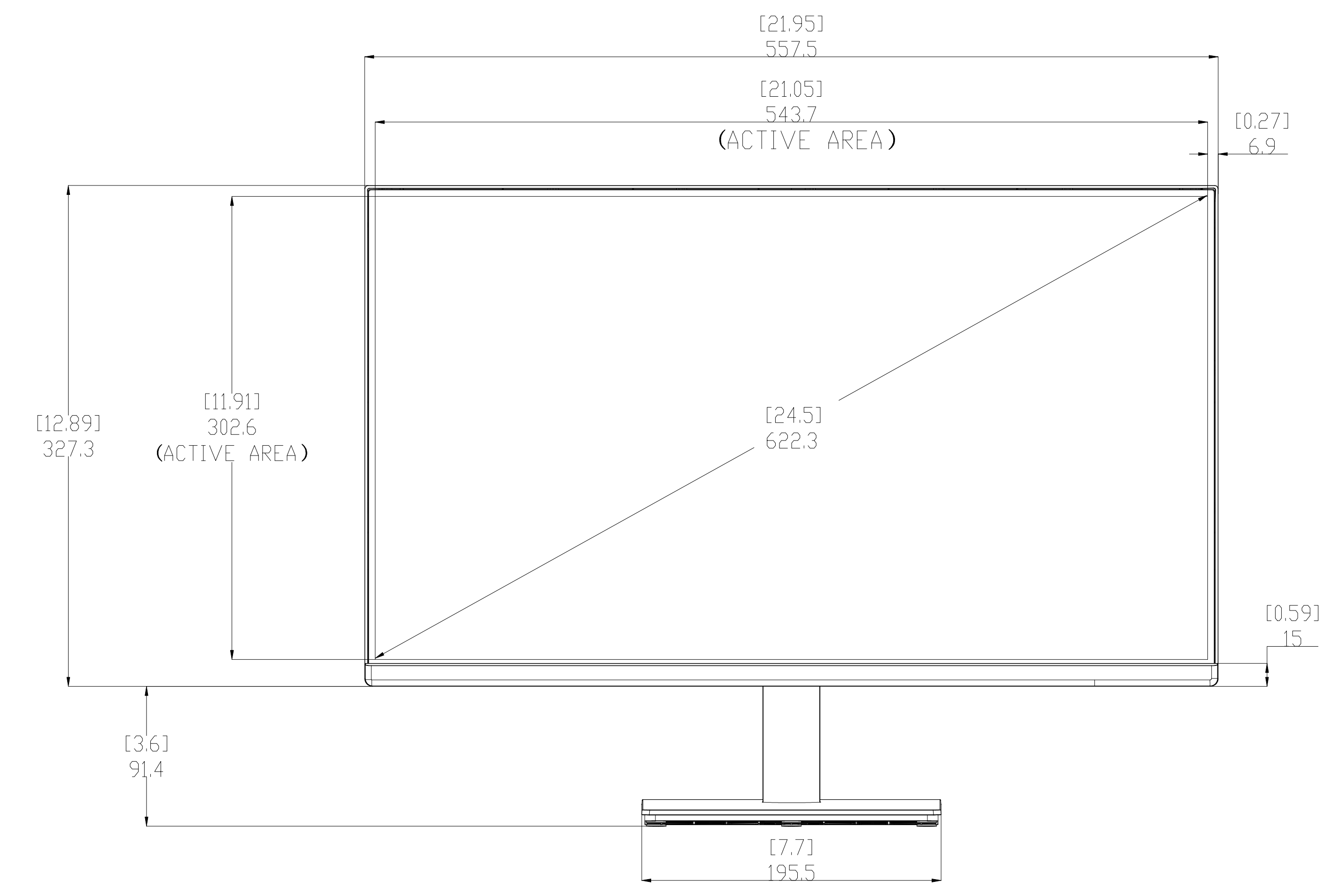
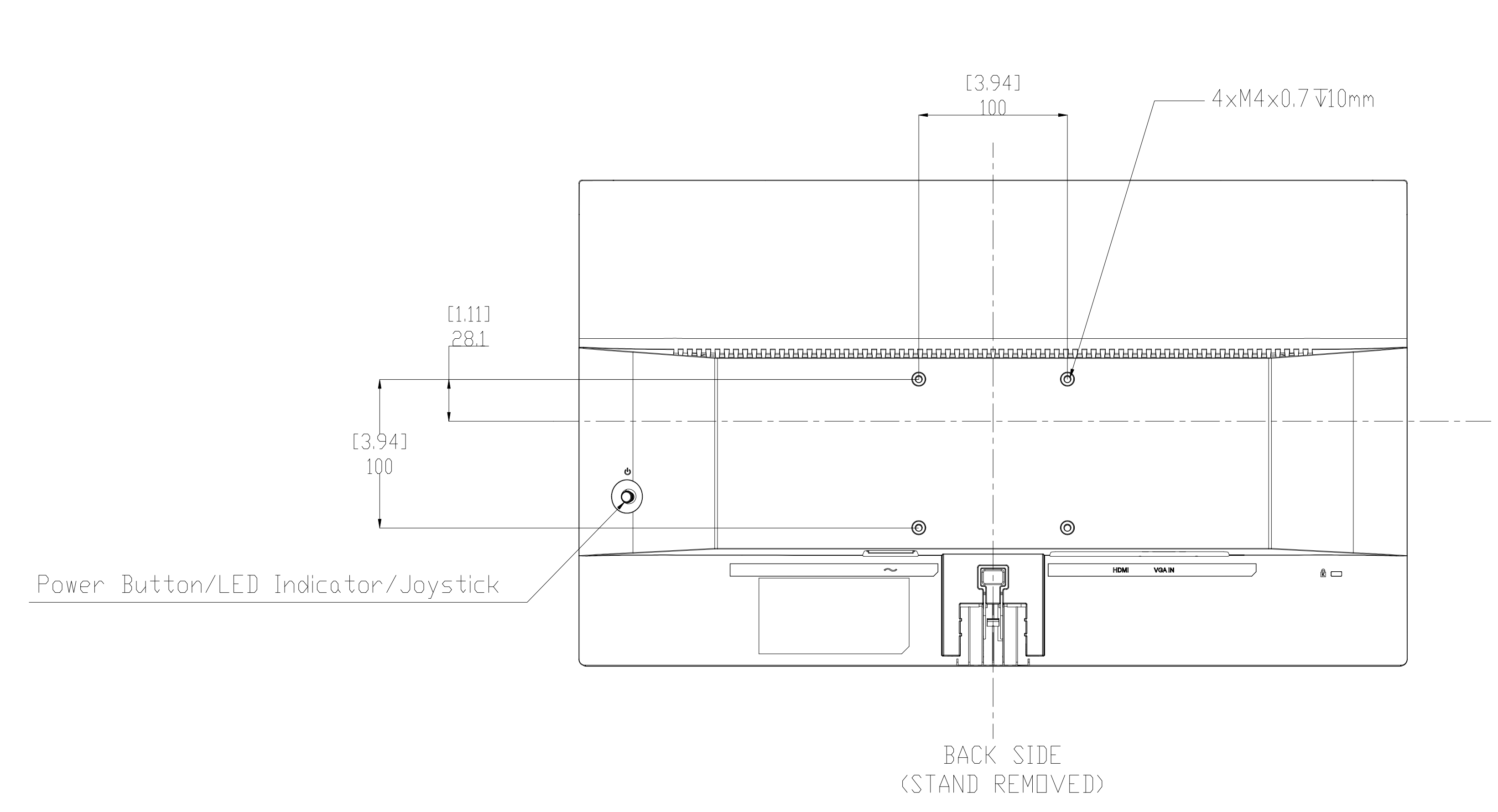


REVISION HISTORY					
ECD	ZONE	REV.	DESCRIPTION	DATE	APPR'D



1. SPECIFICATIONS SUBJECT TO CHANGE WITHOUT NOTICE.
 NOTES: UNLESS OTHERWISE SPECIFIED.

UNLESS OTHERWISE SPECIFIED, DIMENSIONS ARE IN MILLIMETERS (INCHES)		ENGR BY			PLANAR SYSTEMS, INC. 1195 NE COMPTON DRIVE HILLSBORO, OR 97106 USA
TOLERANCES		DRAWN BY			
XX= ±.25	YY= ±.25	CHECKED BY		TITLE	PLN2501
XX= ±.5	Ø = ±.1*	USED ON		SIZE	D
DIMENSIONS AND TOLERANCING PER ASME Y14.5M-1994		INTERK		PART NO	998-3758-00
THIRD ANGLE PROJECTION		FINISH		DRAWING NO	998-3758-00
				REV	A
SCALE	1:1			SHEET	1 OF 1

THIS DRAWING CONTAINS INFORMATION PROPRIETARY TO PLANAR SYSTEMS, INC. ANY REPRODUCTION IN PART OR WHOLE WITHOUT THE WRITTEN PERMISSION OF PLANAR SYSTEMS, INC. VIOLATES THE DRAWING'S APPLICABLE INTELLECTUAL PROPERTY RIGHTS AND MAY BE USED AS BASIS FOR THE MANUFACTURE OF PRODUCTS OF THE COMPANY OR SERVICES TO PLANAR SYSTEMS OR TO ANY THIRD PARTY UNLESS AUTHORIZED IN WRITING BY PLANAR SYSTEMS.